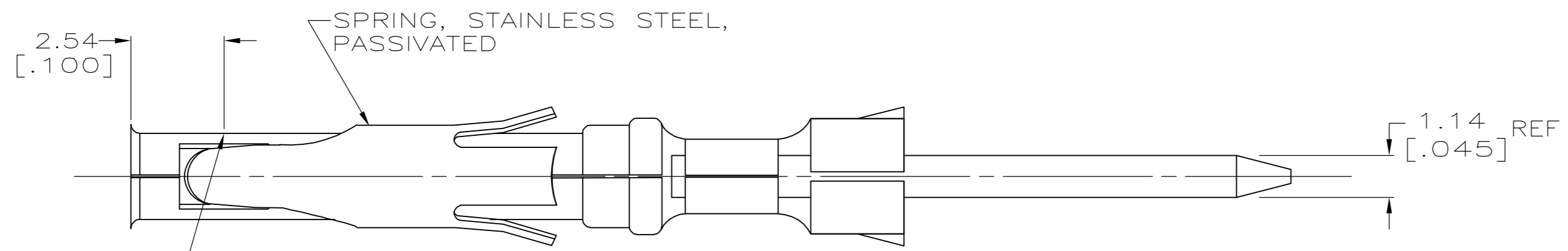
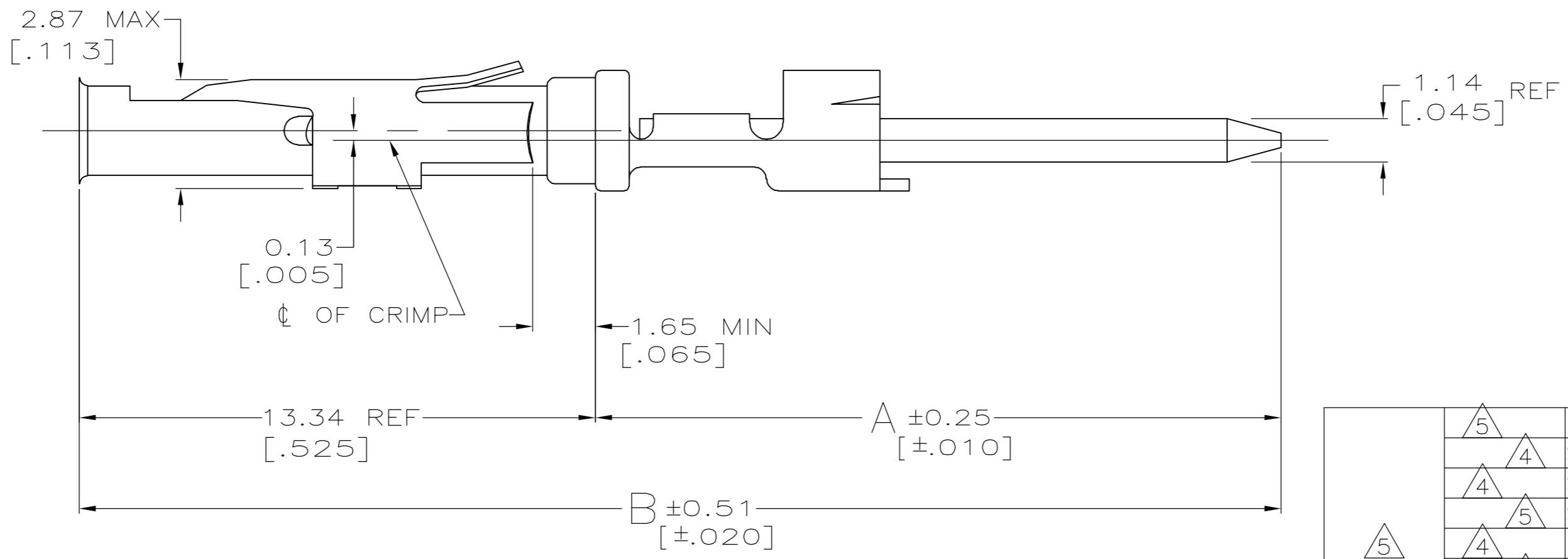
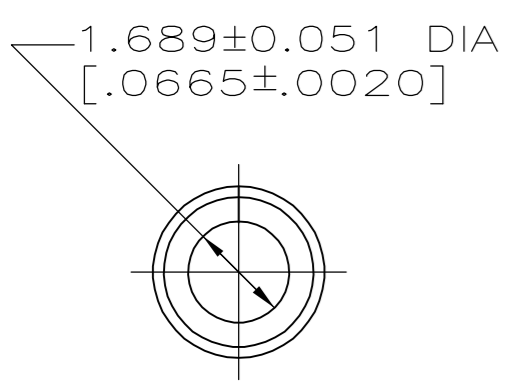


THIS DRAWING IS UNPUBLISHED. RELEASED FOR PUBLICATION
 © COPYRIGHT BY TYCO ELECTRONICS CORPORATION. ALL RIGHTS RESERVED.

LOC	DIST	REVISIONS					
FT	0	P	LTR	DESCRIPTION	DATE	DWN	APVD
		AA2		REVISED PER ECO-05-16380	12/23/05	SS	GS



POINT OF GOLD PLATING THICKNESS MEASUREMENT (90° FROM SEAM)



FINISH (POST)	FINISH (BODY)	NO OF TERM	A	B	PART NUMBER
5	5	2	23.27 [.916]	36.60 [1.441]	2-66473-4
4	4	SPECIAL	21.59 [.850]	34.93 [1.375]	2-66473-3
4	4	SPECIAL	14.86 [.585]	28.19 [1.110]	2-66473-2
5	5	SPECIAL	13.72 [.540]	27.05 [1.065]	2-66473-1
4	4	3	29.74 [1.171]	43.08 [1.696]	2-66473-0
5	5	1	17.81 [.701]	31.14 [1.226]	1-66473-9
5	5	3	29.74 [1.171]	43.08 [1.696]	1-66473-8
4	4	1	17.81 [.701]	31.14 [1.226]	1-66473-7
4	4	2	23.27 [.916]	36.60 [1.441]	1-66473-6
4	4	SPECIAL	14.86 [.585]	28.19 [1.110]	1-66473-5
2	2	SPECIAL	13.72 [.540]	27.05 [1.065]	1-66473-4
3	3	2	23.27 [.916]	36.60 [1.441]	1-66473-1
4	4	1	17.81 [.701]	31.14 [1.226]	1-66473-0
4	4	3	29.74 [1.171]	43.08 [1.696]	66473-9
4	4	1	17.81 [.701]	31.14 [1.226]	66473-7
4	4	3	29.74 [1.171]	43.08 [1.696]	66473-3
2	2	1	17.81 [.701]	31.14 [1.226]	66473-1

SUPERCEDED BY 1776003-2

- NOTES:
- GOLD PLATING NEED NOT APPEAR ON INSULATION SUPPORT STABILIZER.
 - 2.54um [.000100] MIN TIN-LEAD PER 112-26-1 OVER 1.27um [.000050] MIN NICKEL PER 112-25-2.
 - 2.54um [.000100] MIN TIN-LEAD OVER 1.27um [.000050] MIN NICKEL.
 - 0.76um [.000030] MIN GOLD PER MIL-G-45204 ON MATING END FOR A LENGTH OF 5.08 [.200] MIN WITH A UNIFORM GRADIENT TO 0.25um [.000010] MIN GOLD PER MIL-G-45204 ON THE REMAINDER OVER 0.76um [.000030] MIN NICKEL PER QQ-N-290.
 - 2.54um [.000100] MIN TIN OVER 1.27um [.000050] MIN NICKEL.

THIS DRAWING IS A CONTROLLED DOCUMENT.

DWN: D. HARDY 05/02/94
 CHK: W.G. LENKER 05/17/94

APVD: -

PRODUCT SPEC: -
 APPLICATION SPEC: -
 WEIGHT: -

MATERIAL: BRASS PER ASTM B-36

FINISH: -

SCALE: 8:1

SHEET: 1 of 1

REV: AA2

tyco Electronics
 Tyco Electronics Corporation
 Harrisburg, PA 17105-3608

NAME: -
 SOCKET CONTACT, CRIMPED
 1.57 [.062] DIA, 1.14 [.045] x
 1.14 [.045] POST (W.W.)

SIZE: A2
 CAGE CODE: 00779
 DRAWING NO: C=66473

RESTRICTED TO: -